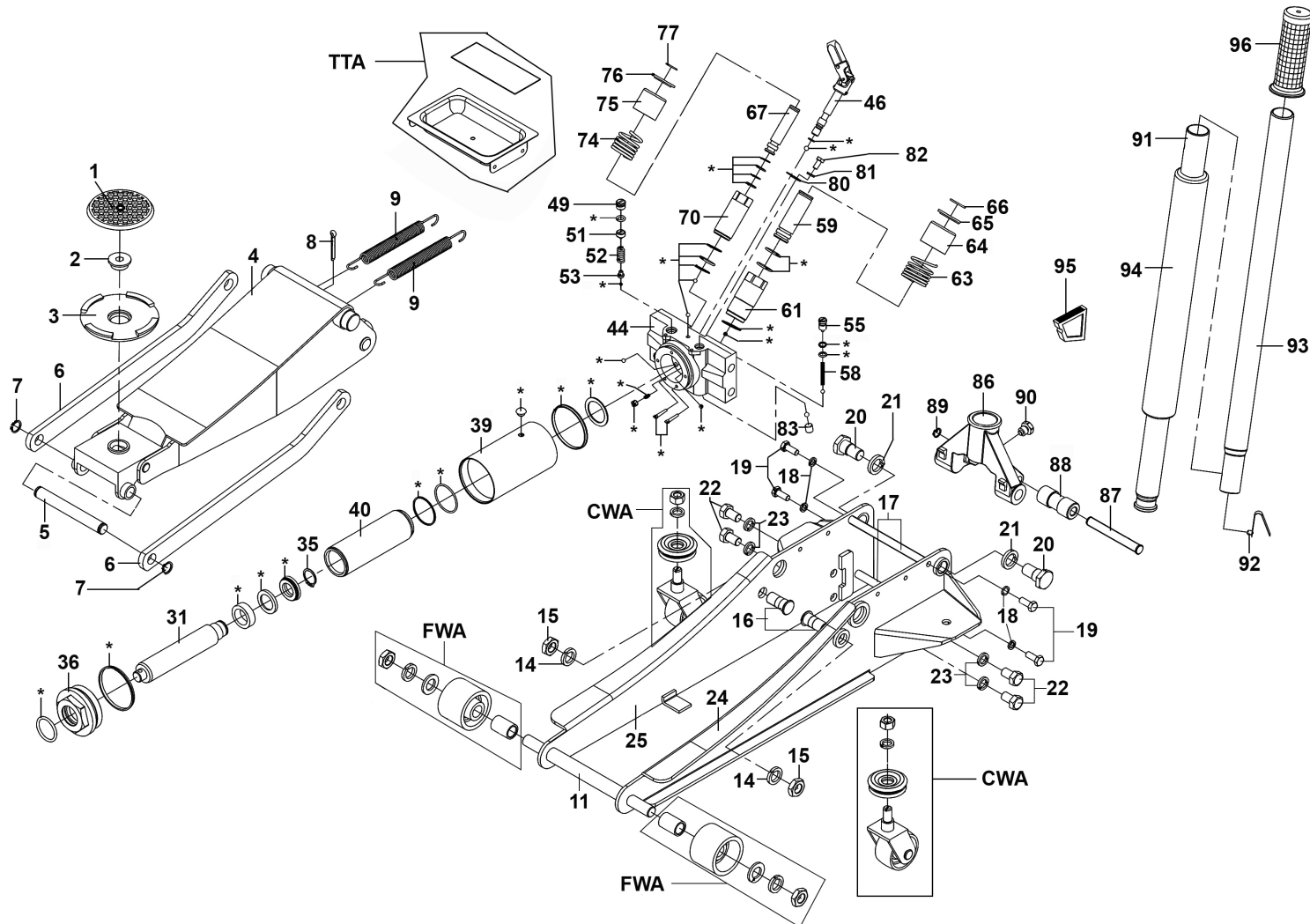




Parts Information:  
Trolley Jack 2.25tonne Low Entry Rocket Lift  
Model No: 2001LE.V2 SERIES



**NOTE:** It is our policy to continually improve products and as such we reserve the right to alter data, specifications and component parts without prior notice.

There may be alternative versions of this product, please contact us should you require this information.

**IMPORTANT:** No liability is accepted for incorrect use of product. Spare parts must be fitted by a competent person

**WARRANTY:** Guarantee is 12 months from purchase date, proof of which will be required for any claim.

Sealey Group, Kempson Way, Suffolk Business Park, Bury St Edmunds, Suffolk. IP32 7AR



01284 757500



01284 703534



sales@sealey.co.uk



www.sealey.co.uk



Parts Information:  
**Trolley Jack 2.25tonne Low Entry Rocket  
 Lift**  
**Model No: 2001LE.V2 SERIES**

Item	Part No.	Description
1	JP17	Safety Rubber Jack Pad - Type B
2	2001LERE.V2-02	Saddle Bolt
3	2001LERE.V2-03	Saddle
4	2001LERE.V2-04	Lifting Arm Assembly
5	2001LERE.V2-05	Radius Link Axle
6	2001LERE.V2-06	Radius Link
7	1020LE.V3-42	External Circlip 16.0mm ID.
8	2001LERE.V2-08	Cotter Pin
9	2500LE.V3-08	Return Spring
11	2001LERE.V2-11	Front Wheel Axle
14	SWM16.S	Spring Washer M16 Zinc
15	SN16.S	Steel Nut M16 Zinc
16	2001LERE.V2-16	Radius Link Stud
17	2001LERE.V2-17	Frame Tie Rod
18	SWM8.S	Spring Washer M8 Zinc
19	SS820.S	Hex Head Set Screw M8 X 20 Zinc
20	2001LERE.V2-20	Handle Sleeve Bolt
21	SWM18.S	Spring Washer M18 Zinc
22	3001CXP.24	Bolt (M12x1.25x20)
23	SWM12.S	Spring Washer M12 Zinc
24	2001LERE.V2-24	Frame, Left Side (Red)
25	2001LERE.V2-25	Frame, Right Side (Red)
31	2001LERE.V2-31	Ram Plunger
35	2500LE.V3-39	External Circlip 22.0mm ID.
36	2500LE.V3-40	Top Nut
39	2500LE.V3-43	Reservoir
40	2500LE.V3-44	Cylinder
44	2500LE.V3-48	Base
46	2001LERE.V2-46	Release Valve Assembly
49	2500LE.V3-53	Guard Screw
51	2500LE.V3-55	Safety Valve Screw
52	2500LE.V3-56	Safety Valve Spring
53	2500LE.V3-57	Ball Seat Valve
55	2500LE.V3-59	Valve Screw (M10 x 1-16)
58	2500LE.V3-62	Spring

Item	Part No.	Description
59	4040TB.73	Pump Piston (B)
61	2500LE.V3-65	Pump (B)
63	2500LE.V3-67	Pump Core Spring (B)
64	2500LE.V3-68	Spring Sleeve (B)
65	2500LE.V3-69	Spring Stop Plate (B)
66	2500LE.V3-70	Spring Stop Plate Ring (B)
67	2500LE.V3-71	Pump Piston (A)
70	2500LE.V3-74	Pump 'A'
74	2500LE.V3-78	Pump Core Spring (A)
75	2500LE.V3-79	Spring Sleeve (A)
76	2500LE.V3-80	Spring Stop Plate (A)
77	2500LE.V3-81	Spring Stop Plate Ring (A)
80	2500LE.V3-84	Flat Washer (26 x 17 x T3)
81	SWM6.S	Spring Washer M6 Zinc
82	SS612.S	Hex Head Set Screw M6 X 12 Zinc
83	2500LE.V3-87	Screw Cap
86	2500LE.V3-90	Handle Socket
87	2500LE.V3-91	Handle Socket Pin
88	2500LE.V3-92	Handle Socket Roller
89	2500LE.V3-93	External Circlip 12.0mm ID.
90	2500LE.V3-94	Handle Socket Bolt (M12 x 13)
91	2001LERE.V2-91	Lower Handle
92	2001LERE.V2-92	Handle Lock Button
93	2001LERE.V2-93	Upper Handle
94	2500LE.V3-100	Handle Sleeve
95	2500LE.V3-99	Handle Locking Block
96	2500LE.V3-98	Handle Grip
CWA	2001LERE.V2-CWA	Rear Castor Assembly
FWA	2001LERE.V2-FWA	Front Wheel Assembly
--	2001LERE.V2-HUA	Hydraulic Unit Assembly ( <b>not shown</b> )
--	2001LERE.V2-RVA	Release Valve Assembly ( <b>not shown</b> )
TTA	2001LERE.V2-TTA	Tool Tray Assembly
--	2001LERE.V2-RK	Repair Kit (all items marked <sup>*</sup> )
--	2001LERE.V2-LABEL	Label for Side Frame

**Coloured Series**

All parts are interchangeable across the series except of the item numbers shown below

**Patriot Series**

All parts are interchangeable across the series except of the item numbers shown below

**NOTE:** It is our policy to continually improve products and as such we reserve the right to alter data, specifications and component parts without prior notice. There may be alternative versions of this product, please contact us should you require this information.

**IMPORTANT:** No liability is accepted for incorrect use of product. Spare parts must be fitted by a competent person

**WARRANTY:** Guarantee is 12 months from purchase date, proof of which will be required for any claim.

Sealey Group, Kempson Way, Suffolk Business Park, Bury St Edmunds, Suffolk. IP32 7AR



01284 757500



01284 703534



sales@sealey.co.uk



www.sealey.co.uk



Parts Information:  
**Trolley Jack 2.25tonne Low Entry Rocket Lift**  
**Model No: 2001LE.V2 SERIES**

**2001LEE**

Item	Part No.	Description
4	2001LEE.04	Lifting Arm Assembly (Red) 'St George Flag Edition'
6	2001LEE.06	Radius Link (Black)
24	2001LEE.24	Frame, Left Side (Red) 'St George Flag Edition'
25	2001LEE.25	Frame, Right Side (Red) 'St George Flag Edition'
TTA	2001LEE.TTA	Tool Tray Assembly (Black)
--	2001LEE.LABEL1	Label for Lifting Frame (St George Flag)
--	2001LEE.LABEL2	Label for Side Frame (St George Flag)
--	2001LEE.LABEL3	Label above Castor (St George Flag)

**2001LEU**

Item	Part No.	Description
4	2001LEU.04	Lifting Arm Assembly (Red) 'Union Flag Edition'
6	2001LEE.06	Radius Link (Black)
24	2001LEU.24	Frame, Left Side (Red) 'Union Flag Edition'
25	2001LEU.25	Frame, Right Side (Red) 'Union Flag Edition'
TTA	2001LEE.TTA	Tool Tray Assembly (Black)
--	2001LEU.LABEL1	Label for Lifting Frame (Union Flag)
--	2001LEU.LABEL2	Label for Side Frame (Union Flag)
--	2001LEU.LABEL3	Label above Castor (Union Flag)

**2001LES**

Item	Part No.	Description
4	2001LES.04	Lifting Arm Assembly (Blue) 'St Andrews Flag Edition'
6	2001LEE.06	Radius Link (Black)
24	2001LES.24	Frame, Left Side (Blue) 'St Andrews Flag Edition'
25	2001LES.25	Frame, Right Side (Blue) 'St Andrews Flag Edition'
TTA	2001LEE.TTA	Tool Tray Assembly (Black)
--	2001LES.LABEL1	Label for Lifting Frame (St Andrews Flag)
--	2001LES.LABEL2	Label for Side Frame (St Andrews Flag)
--	2001LES.LABEL3	Label above Castor (St Andrews Flag)

**2001LEW**

Item	Part No.	Description
4	2001LEW.04	Lifting Arm Assembly (Green) 'Welsh Dragon Flag Edition'
6	2001LEE.06	Radius Link (Black)
24	2001LEW.24	Frame, Left Side (Green) 'Welsh Dragon Flag Edition'
25	2001LEW.25	Frame, Right Side (Green) 'Welsh Dragon Flag Edition'
TTA	2001LEE.TTA	Tool Tray Assembly (Black)
--	2001LEW.LABEL1	Label for Lifting Frame (Welsh Dragon Flag)
--	2001LEW.LABEL2	Label for Side Frame (Welsh Dragon Flag)
--	2001LEW.LABEL3	Label above Castor (Welsh Dragon Flag)

**2001LERI**

Item	Part No.	Description
4	2001LERI.04	Lifting Arm Assembly (Orange) 'ROI Flag Edition'
6	2001LEE.06	Radius Link (Black)
24	2001LERI.24	Frame, Left Side (Orange) 'ROI Flag Edition'
25	2001LERI.25	Frame, Right Side (Orange) 'ROI Flag Edition'
TTA	2001LEE.TTA	Tool Tray Assembly (Black)
--	2001LERI.LABEL1	Label for Lifting Frame (ROI Flag)
--	2001LERI.LABEL2	Label for Side Frame (ROI Flag)
--	2001LERI.LABEL3	Label above Castor (ROI Flag)

**2001LEHV2**

Item	Part No.	Description
24	2001LEHV2-24	Frame, Left Side 'Hi-Vis' (for 2001LEHV only)
25	2001LEHV2-25	Frame, Right Side 'Hi-Vis' (for 2001LEHV only)

**2001LEOR.V2**

Item	Part No.	Description
24	2001LEOR.V2-24	Frame, Left Side 'Orange' (for 2001LEOR only)
25	2001LEOR.V2-25	Frame, Right Side 'Orange' (for 2001LEOR only)

**2001LEBL.V2**

Item	Part No.	Description
24	2001LEBL.V2-24	Frame, Left Side 'Blue' (for 2001LEBL only)
25	2001LEBL.V2-25	Frame, Right Side 'Blue' (for 2001LEBL only)

**NOTE:** It is our policy to continually improve products and as such we reserve the right to alter data, specifications and component parts without prior notice. There may be alternative versions of this product, please contact us should you require this information.

**IMPORTANT:** No liability is accepted for incorrect use of product. Spare parts must be fitted by a competent person

**WARRANTY:** Guarantee is 12 months from purchase date, proof of which will be required for any claim.

**Sealey Group**, Kempson Way, Suffolk Business Park, Bury St Edmunds, Suffolk. IP32 7AR



01284 757500



01284 703534



sales@sealey.co.uk



www.sealey.co.uk