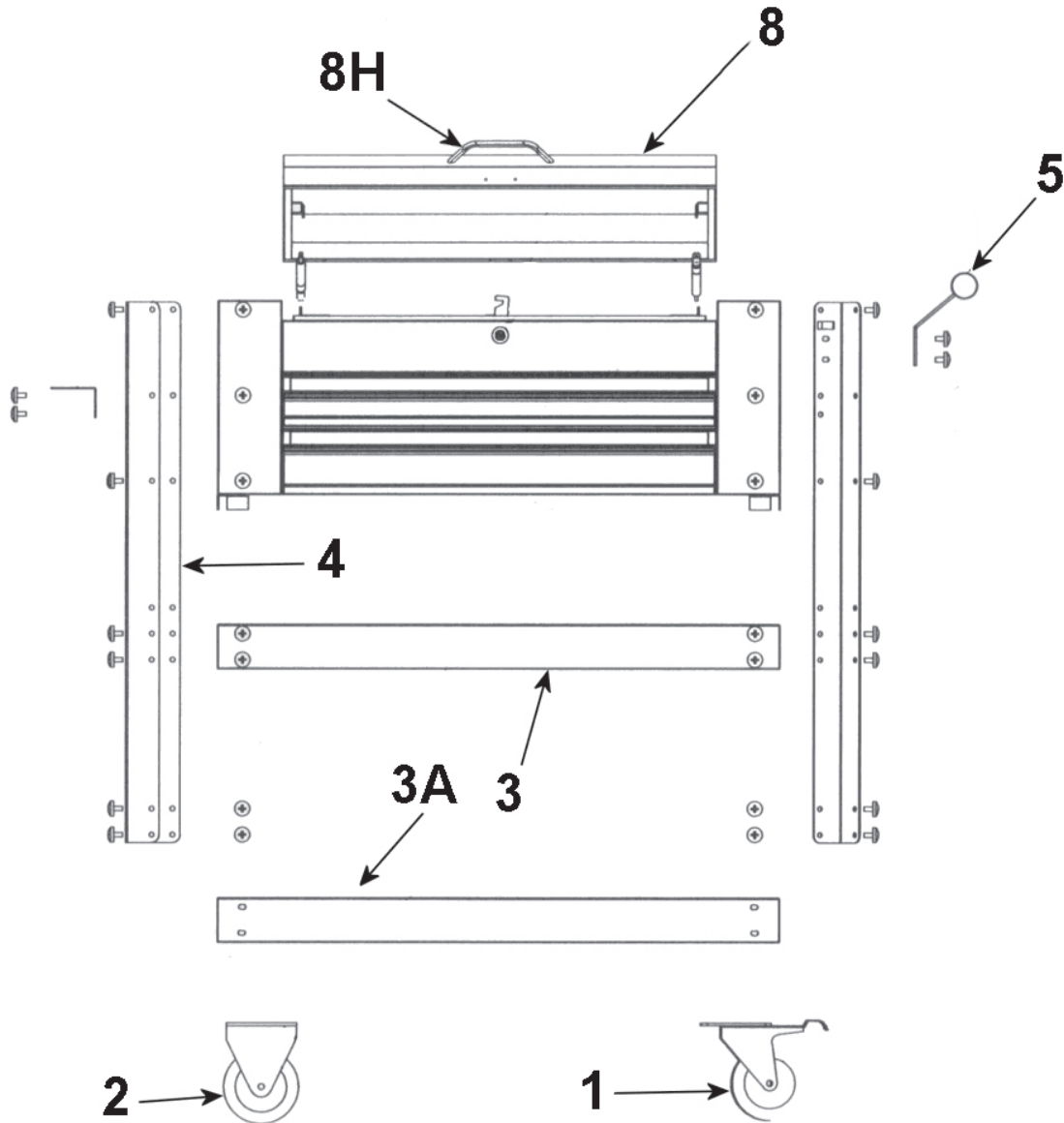




Parts Information:  
**Heavy-Duty Mobile Tool & Parts Trolley 2  
 Drawers & Lockable Top - Red**  
**Model No: AP760M**



Item	Part No.	Description
1	AP760MHV.01	HEAVY-DUTY 'PU' CASTOR 4" (WITH BRAKE)
2	AP760MHV.02	HEAVY-DUTY 'PU' CASTOR 4"
3	AP760M.03M	SHELF,MIDDLE (760x435x60mm) 'RED'
3A	AP760M.03L	SHELF,LOWER (760x435x60mm) 'RED'
4	AP760MHV.04L	UPRIGHT(FRONT LEFT,REAR RIGHT)
	AP760MHV.04R	UPRIGHT(FRONT RIGHT,REAR LEFT)
5	AP760MHV.05	SIDE HANDLE
--	AP760MHV.06	BALL BEARING SLIDE (PAIR) (not shown)
--	AP760MHV.07	LOCK & KEY (not shown)

Item	Part No.	Description
8	AP760M.08	TOP LID 'RED'
8H	AP760MHV.08H	HANDLE (c/w SCREW) FOR TOP LID
--	AP760M.09	DRAWER (560x400x65mm) 'RED' (not shown)
--	AP760M.10	DRAWER (560x400x85mm) 'RED' (not shown)
--	AP760MHV.FK	FIXING KIT (SCREWS/NUTS/WASHERS) (not shown)
--	AP-BADGE1	SUPERLINE PRO BADGE (NEW) 111x25 (not shown)
--	AP-BADGE2	SEALEY BADGE (NEW) 70x25 (not shown)

**NOTE:** It is our policy to continually improve products and as such we reserve the right to alter data, specifications and component parts without prior notice.

**IMPORTANT:** No liability is accepted for incorrect use of product.

**WARRANTY:** Guarantee is 12 months from purchase date, proof of which will be required for any claim.

**Sealey Group**, Kempson Way, Suffolk Business Park, Bury St Edmunds, Suffolk. IP32 7AR



01284 757500



01284 703534



sales@sealey.co.uk



www.sealey.co.uk