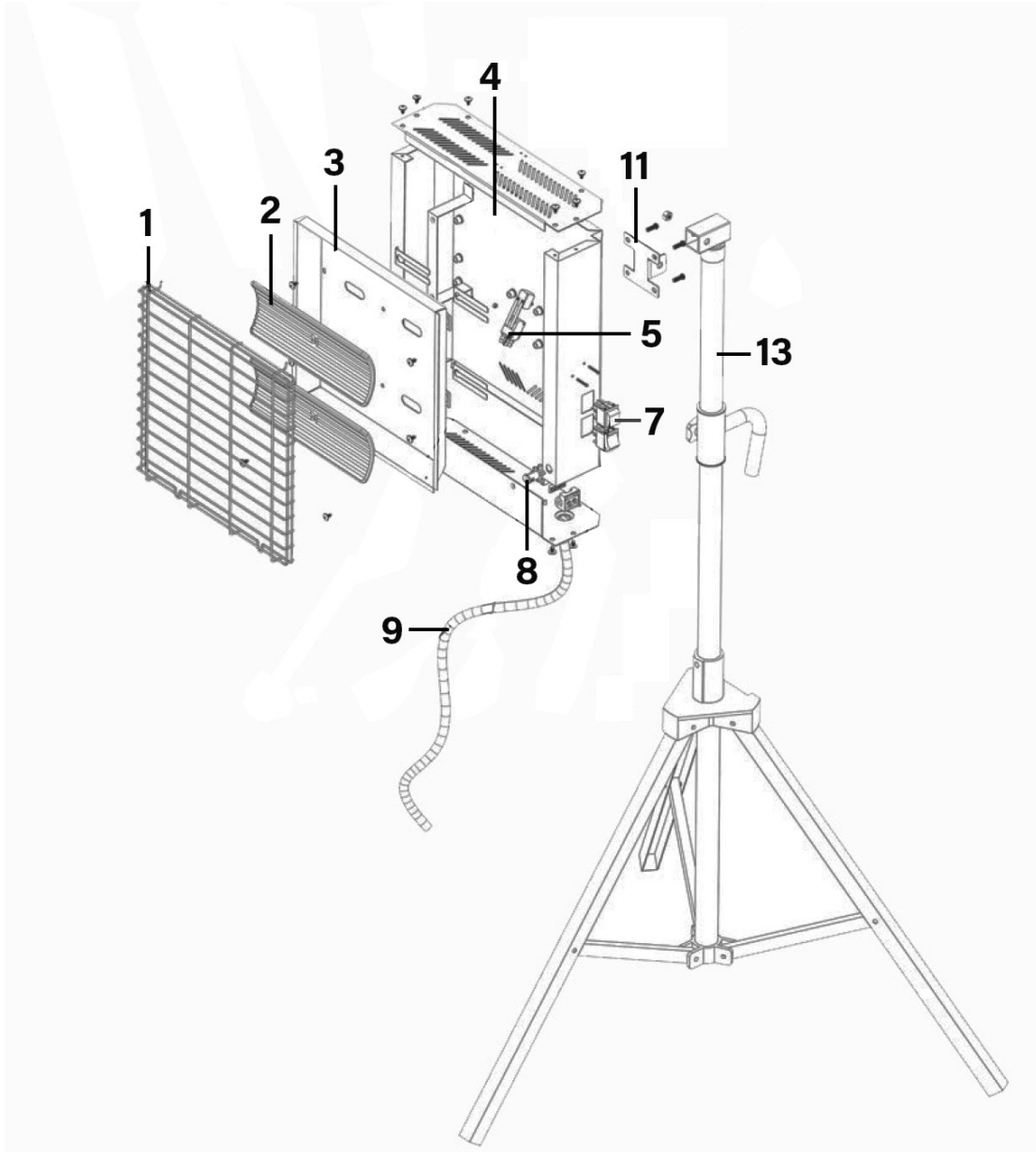


Parts Information:  
**Ceramic Heater with Telescopic Tripod  
 Stand 1.4/2.8kW 230V  
 Model No: CH2800S**



Item	Part No.	Description
1	CH28110VS.01	Metal Front Grille
2	CH2800V2-03	Heating Element 230v (4 Wires)
3	CH28110VS.03	Reflector
4	CH2800S.04	Housing
5	CH28110VS.05	Safety Tilt Switch
7	CH28110VS.07	Switch, Rocker, Illuminated(Red) - 16A/250V - T100/55
8	CH28110VS.08	Indicator Lamp
9	MC3CX1.5R	Mains Cable Blk, 3 Core (Rubber) 1.5mm2

Item	Part No.	Description
11	CH2800S.11	Fixed Bracket
13	CH2800S.13	Tripod
--	CH2800S.12	Upright Shaft (C/w Fixed Bracket) (Not Shown)
--	MSP620.S	Machine Screw Pan Head Phillips M6 x 20mm (Not Shown)
--	SS845.S	Hex Head Set Screw M8 X 45 Zinc (Not Shown)
--	NLN8.S	Nyloc Nut M8 Zinc (Not Shown)
--	FWM8.S	Flat Washer M8 Zinc (Not Shown)

**NOTE:** It is our policy to continually improve products and as such we reserve the right to alter data, specifications and component parts without prior notice. There may be alternative versions of this product, please contact us should you require this information.

**IMPORTANT:** No liability is accepted for incorrect use of product. Spare parts must be fitted by a competent person

**WARRANTY:** Guarantee is 12 months from purchase date, proof of which will be required for any claim.