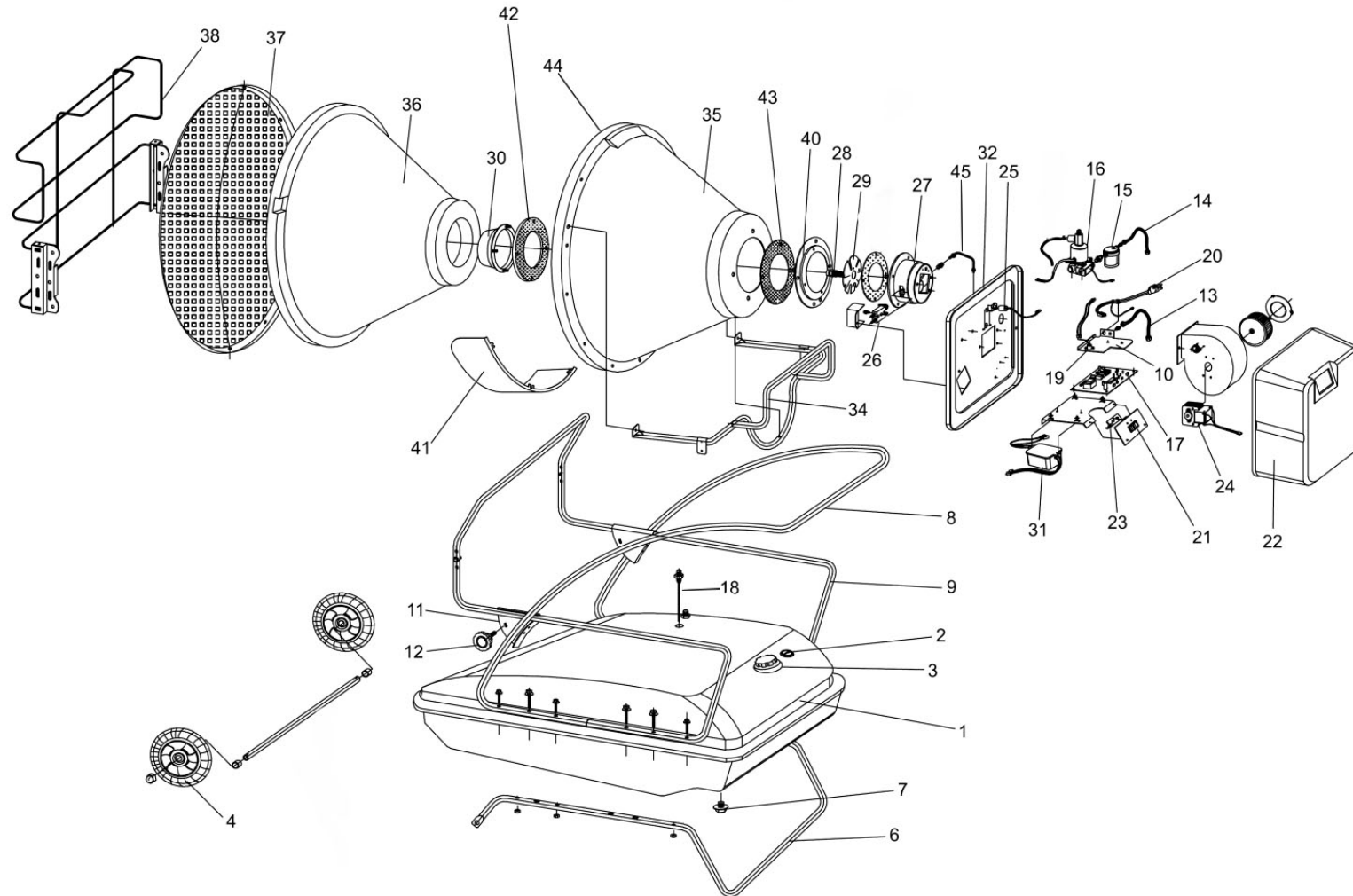




Parts Information:
Infrared Paraffin/Kerosene/Diesel Heater 28/37kW 230V
Model No: IR37.V4



NOTE: It is our policy to continually improve products and as such we reserve the right to alter data, specifications and component parts without prior notice.

IMPORTANT: No liability is accepted for incorrect use of product.

WARRANTY: Guarantee is 12 months from purchase date, proof of which will be required for any claim.

Sealey Group, Kempson Way, Suffolk Business Park, Bury St Edmunds, Suffolk. IP32 7AR



01284 757500



01284 703534



sales@sealey.co.uk



www.sealey.co.uk



Parts Information:
Infrared Paraffin/Kerosene/Diesel Heater
28/37kW 230V
Model No: IR37.V4

Item	Part No.	Description
1	P72-001-0200	FUEL TANK ASS'Y
2	P72-022-0130	FUEL GAUGE ASS'Y
3	P72-002-0150	FUEL CAP ASSEMBLY
4	P72-041-1400	WHEEL, FIXED (250x12x55)
6	P72-042-0120	WHEEL FRAME
7	P72-001-0210	DRAIN BOLT M12X20 C/W SEAL
8	P72-042-0220	HANDLE
9	P72-042-0320	REAR HANDLE
10	P72-025-0510	PUMP SUPPORT PLATE
11	P72-035-0320	FRAME SUPPORT (PAIR)
12	P72-042-0500	HEIGHT ADJUSTMENT KNOB
13	P72-023-0260	RETURN FUEL LINE
14	P72-023-0260	RETURN FUEL LINE
15	P70-020-0100	FUEL FILTER ASSEMBLY
16	P72-027-0100	FUEL PUMP ASSEMBLY
17	P72-025-0450	MAIN PCB ASSEMBLY
18	P72-023-0310	INTAKE FUEL HOSE (COPPER WITH OLIVES)
19	P75-051-0200	TIP OVER SWITCH
20	P72-012-0150	CONTROL SWITCH
21	P72-013-0110	BACK COVER
22	P72-014-0100	PANEL SUB-PCB
23	P72-045-0100	BLOWER MOTOR ASS'Y
24	P72-038-0200	FLAME SENSOR ASS'Y
25	P75-075-0200	SPARK PLUG (LONG PRONGED 39mm)
26	P72-035-0210	BURNER BODY
28	P72-036-0100	NOZZLE - DANFOSS 0.75GPH 60H

Item	Part No.	Description
29	P72-035-0500	BURNER BLADE
30	P72-036-0200	DIFFUSION CAP
31	P72-025-0120	IGNITOR
32	P72-035-0110	BURNER SUPPORT PLATE
33	P72-040-0120	TEMPERATURE SENSOR
34	P72-035-0680	RADIANT CONE SUPPORT ASS'Y
35	P72-035-0610	RADIANT CONE ASS'Y
36	P72-035-0620	CERAMIC FIBER
37	P72-012-0400	HEAT PLATE
38	P72-012-0200	SAFETY GUARD
39	P72-042-0410	FRONT HANDLE
40	P72-035-0700	BURNER BRACKET
41	P72-012-0220	RADIANT VISOR
42	P72-035-0630	RADIANT CONE GASKET
43	P72-035-0630	RADIANT CONE GASKET
44	P72-035-0615	BURNER HOUSING
--	P70-041-1540	WHEEL BUSHING (NOT SHOWN)
--	SN12.SD	STEEL NUT M12 DOMED (SINGLE) (NOT SHOWN)
--	NLN6.S	NYLOC NUT M6 ZINC DIN 985 (SINGLE) (NOT SHOWN)
--	FWM6.S	FLAT WASHER M6 SINGLE (NOT SHOWN)
--	NC10.V2-06	BOLT M6X30 (NOT SHOWN)
--	HHB655.S	HEX HEAD BOLT M6x55mm SINGLE (NOT SHOWN)
45	P72-023-0220	INTAKE FUEL LINE (COPPER)
--	P72-032-0155	POWER SUPPLY CABLE ASS'Y (NOT SHOWN)

NOTE: It is our policy to continually improve products and as such we reserve the right to alter data, specifications and component parts without prior notice.

IMPORTANT: No liability is accepted for incorrect use of product.

WARRANTY: Guarantee is 12 months from purchase date, proof of which will be required for any claim.

Sealey Group, Kempson Way, Suffolk Business Park, Bury St Edmunds, Suffolk. IP32 7AR



01284 757500



01284 703534



sales@sealey.co.uk



www.sealey.co.uk