

Item	Part No.	Description
1	RS125.V4-01	VOLTMETER SWITCH
2	RS125.V4-02	ON-OFF SWITCH KNOB
3	RS125.V4-03	CIGARETTE LIGHTER CAP
4	RS125.V4-04	VOLTMETER
5	RS125.V4-05	FRONT PANEL
6	RS125.V4-06	FASTEN BOARD FOR VOLTMETER
7	RS125.V4-07	CIRCUIT BREAKER
8	RS125.V4-08	CIGARETTE LIGHTER
9	RS125.V4-09	FASTEN BOARD FOR ON-OFF SWITCH
10	RS125.V4-10	ON-OFF SWITCH
11	RS125.V4-11	PCB FOR CIGARETTE
12	RS125.V4-12	RUBBER CUSHION

Item	Part No.	Description
13	RS125.V4-13	SCREW
14	RS125.V4-14	POSITIVE CLAMP
14A	RS125.10XD	POSITIVE CABLE WITH DIODE
15	RS125.V4-15	BODY CASE
16	RS125.V4-16	NEGATIVE CLAMP
17	RS125.V4-17	BATTERY 22Ah
18	RS125.V4-18	ADHESIVE TAPE OF BATTERIES
19	RS125.V4-19	REAR HOUSING
20	RS125.V4-20	PCB FOR CHARGING
21	RS125.V4-21	SCREW
22	RS125.V4-22	SOCKET FOR CHARGER
23	RS125.V4-23	MAIN CHARGER

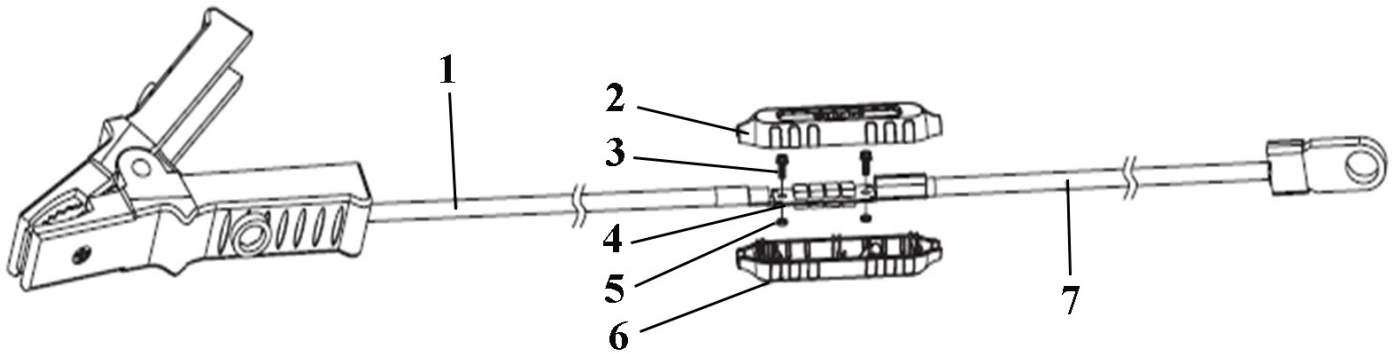
NOTE: It is our policy to continually improve products and as such we reserve the right to alter data, specifications and component parts without prior notice. There may be alternative versions of this product, please contact us should you require this information.

IMPORTANT: No liability is accepted for incorrect use of product. Spare parts must be fitted by a competent person

WARRANTY: Guarantee is 12 months from purchase date, proof of which will be required for any claim.



Parts Information:
RoadStart® Emergency Jump Starter
12/24V 3000/1500 Peak Amps
Model No: RS125.V4



Item	Part No.	Description
1	RS125.V4-14.1	0.5m CABLE
2	RS125.V4-14.2	UPPER CASE
3	RS125.V4-14.3	SCREWS
4	RS125.V4-14.4	PCB

Item	Part No.	Description
5	RS125.V4-14.5	NUT
6	RS125.V4-14.6	BOTTOM CASE
7	RS125.V4-14.7	0.38m CABLE

NOTE: It is our policy to continually improve products and as such we reserve the right to alter data, specifications and component parts without prior notice. There may be alternative versions of this product, please contact us should you require this information.

IMPORTANT: No liability is accepted for incorrect use of product. Spare parts must be fitted by a competent person

WARRANTY: Guarantee is 12 months from purchase date, proof of which will be required for any claim.

Sealey Group, Kempson Way, Suffolk Business Park, Bury St Edmunds, Suffolk. IP32 7AR



01284 757500



01284 703534



sales@sealey.co.uk



www.sealey.co.uk