



SPARE PARTS LISTING SHEET FOR

400W Submersible Dirty Water Pump with Float Switch

Stock No.76334

Part No.SWP125ADW

KEY No.	PART No.	STOCK No.	DESCRIPTION
1	YSWP125ADW-01	76574	Plug and cable.
2	YSWP125ADW-02	76575	Switch.
3	YSWP125ADW-03	76576	Screw.
4	YSWP125ADW-04	76577	Upper housing.
5	YSWP125ADW-05	76579	Washer.
6	YSWP125ADW-06	76580	Cable strain.
7	YSWP125ADW-07	76581	Cable strain.
8	YSWP125ADW-08	76582	Olive.
9	YSWP125ADW-09	76583	Olive.
10	YSWP125ADW-10	76584	Capacitor.
11	YSWP125ADW-11	76585	Cable clamp.
12	YSWP125ADW-12	76587	Screw.
13	YSWP125ADW-13	76588	Motor back cover.
14	YSWP125ADW-14	76589	Washer.
15	YSWP125ADW-15	76590	Bearing.
16	YSWP125ADW-16	76591	Rotor.
17	YSWP125ADW-17	76595	Screw.
18	YSWP125ADW-18	76596	Washer.
19	YSWP125ADW-19	76597	Earth plate.
20	YSWP125ADW-20	76598	Washer.
21	YSWP125ADW-21	76599	Stator.

KEY No.	PART No.	STOCK No.	DESCRIPTION
22	YSWP125ADW-22	76600	O-ring.
23	YSWP125ADW-23	76602	Motor front bushing.
24	YSWP125ADW-24	76603	Motor cover.
25	YSWP125ADW-25	76604	O-ring.
26	YSWP125ADW-26	76605	O-ring.
27	YSWP125ADW-27	76606	Washer.
28	YSWP125ADW-28	76607	Impeller.
29	YSWP125ADW-29	76608	Nut.
30	YSWP125ADW-30	76609	Pump body.
31	YSWP125ADW-31	76610	Steel ball.
32	YSWP125ADW-32	76613	Washer.
33	YSWP125ADW-33	76614	Screw.
34	YSWP125ADW-34	76615	O-ring.
35	YSWP125ADW-35	76616	Base.
36	YSWP125ADW-36	76617	Screw.
37	YSWP125ADW-37	76618	Base plate.
38	YSWP125ADW-38	76620	Screw.
39	YSWP125ADW-39	76621	Adaptor.
40	YSWP125ADW-40	76622	O-ring.
41	YSWP125ADW-41	76623	Elbow.
42	YSWP125ADW-42	76624	O-ring.

Helpline: (023) 8049 4344. Sales Desk: (023) 8049 4333. General Enquiries: (023) 8026 6355.

DRAPER TOOLS LTD, HURSLEY ROAD, CHANDLER'S FORD, EASTLEIGH, HANTS. SO53 1YF. U.K. internet: www.draper.co.uk e-mail: sales@drapertools.com

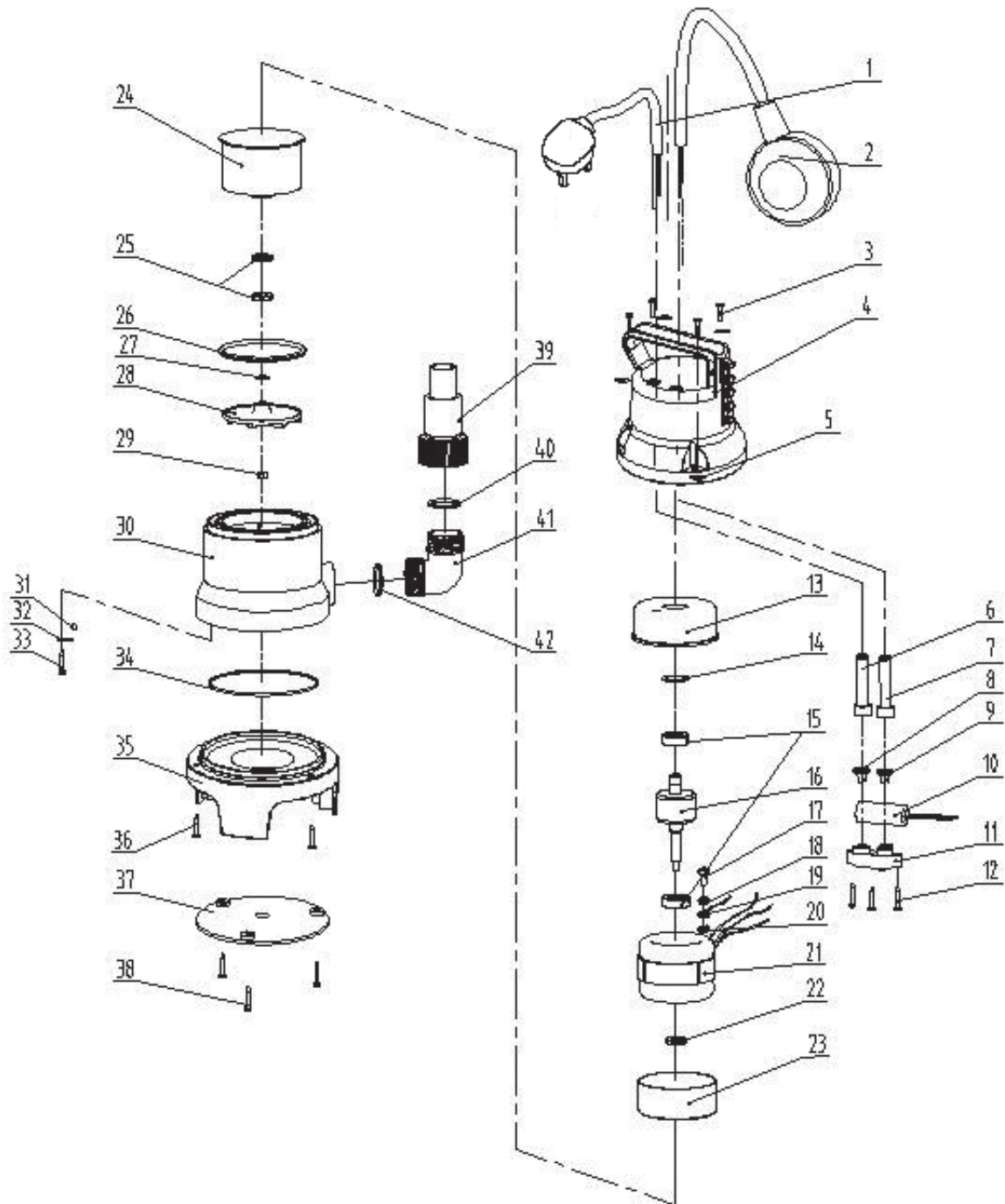


SPARE PARTS DRAWING SHEET FOR

400W Submersible Dirty Water Pump with Float Switch

Stock No.76334

Part No.SWP125ADW



Helpline: (023) 8049 4344. **Sales Desk:** (023) 8049 4333. **General Enquiries:** (023) 8026 6355.

DRAPER TOOLS LTD, HURSLEY ROAD, CHANDLER'S FORD, EASTLEIGH, HANTS. SO53 1YF. U.K. internet: www.draper.co.uk e-mail: sales@drapertools.com